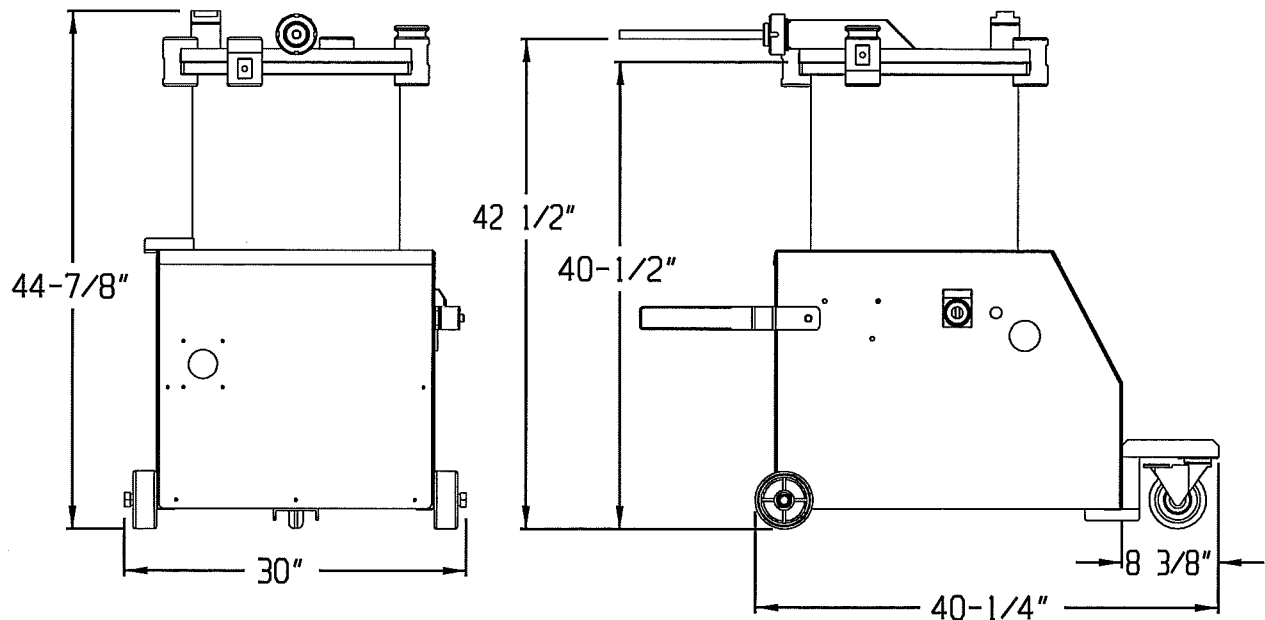


DANIELS FOOD EQUIPMENT

DFS-100 HYDRAULIC STUFFING MACHINE



SPECIFICATIONS

CAPACITY: 100-LBS. (50 LITERS)

MOTOR: 3 HP, 220 VOLT, 60Hz, 3 PHASE, 8.5 AMP
(STANDARD)

EXTRUDING NOZZLES: 7/16" # 50050-01

3 HP, 208 VOLT, 60Hz, 3 PHASE, 8.8 AMP

(STANDARD) 1/2" # 50050-02

3 HP, 460 VOLT, 60Hz, 3 PHASE, 4.1 AMP

OUTSIDE DIAMETER 3/4" # 50050-04

3 HP, 208 VOLT, 60Hz, 1 PHASE, 18 AMP

1-1/4" # 50050-06

3 HP, 230 VOLT, 60Hz, 1 PHASE, 16.8 AMP

(OPTIONAL)

EXTRUDING NOZZLES: 5/8" # 50050-03

(OPTIONAL) 1" # 50050-05

OUTSIDE DIAMETER 1-1/2" # 50050-07

1-1/2" # 50050-07

JERKY STUFFING NOZZLE # 50025

7/16" DOUBLE BEEF STICK HORN # 50161

1/2" DOUBLE BEEF STICK HORN # 50612

CONTROLS: PRESSURE/FLOW ADJUSTMENT
(CONTROL KNOB), 3 POSITION KNEE
LEVER OPERATION

ACCESSORIES: SAUSAGE MAKING TABLES
(3' X 4', 3' X UP TO 10', P.O.R.),
PORTIONER (MECHANICAL)
RANGE 1/2 TO 5-LBS.

HYDRAULIC OIL: INDOL NZ ISO 46MV OR
EQUIVALENT. OIL FILTER
P/N 20460

MACHINE MATERIAL: STAINLESS STEEL & PLASTIC

WEIGHT: 850-LBS. (WITH OIL)

OIL RESERVOIR: 7 GALLON CAPACITY, SELF-CONTAINED

DANIELS FOOD EQUIPMENT

310 NORTH CLAYBORN AVENUE, PARKERS PRAIRIE, MN 56361 PHONE: (218) 338-5000 FAX (218) 338-5909

WEB: www.danielsfood.com

E-MAIL: danielsfood@midwestinfo.net

1/17/2020