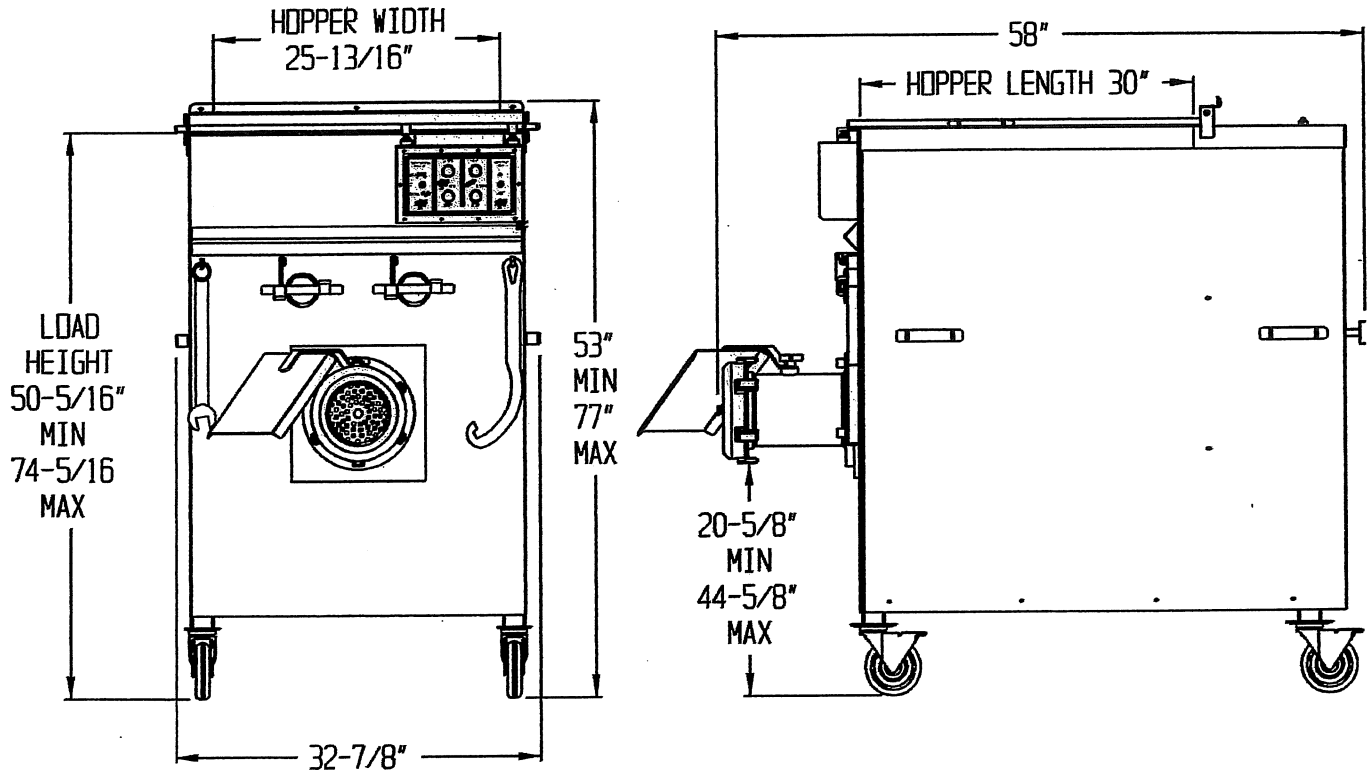


DANIELS FOOD EQUIPMENT

AFMG 300 MIXER GRINDER



SPECIFICATIONS

- MOTOR:** GRINDER; 230/460 VOLT, 44/22 AMP, 1760 RPM, 60 Hz, 15 HP, 3 PH.
OPTIONAL; 208 VOLT, 44.75 AMP, 1760 RPM, 60 Hz, 15 HP, 3 PH.
MIXER; 230/460 VOLTS, 10.12/5.06 AMP 1740 RPM, 60 Hz, 3 HP, 3 PH.
OPTIONAL; 208 VOLT, 10.35 AMP, 1740 RPM, 60 Hz, 3 HP, 3 PH.
- HOPPER:** HEAVY GAUGE STAINLESS STEEL CONSTRUCTION
300 LBS. CAPACITY, REMOVABLE PADDLES, STAINLESS STEEL
HOPPER COVER.
- CAPACITY:** 200 – 300 LBS. PER MINUTE, DEPENDS ON PLATE HOLE SIZE
AND PRODUCT CONSISTENCY.
- WEIGHT:** APPROXIMATELY 1325 LBS. SHIPPING WEIGHT 1400 LBS.

DANIELS FOOD EQUIPMENT

310 NORTH CLAYBORN AVE P.O. BOX 341, PARKERS PRAIRIE, MN. 56361

PHONE: (218) 338-5000 FAX (218) 338-5909.

WEB: www.danielsfood.com E-MAIL: danielsfood@midwestinfo.net