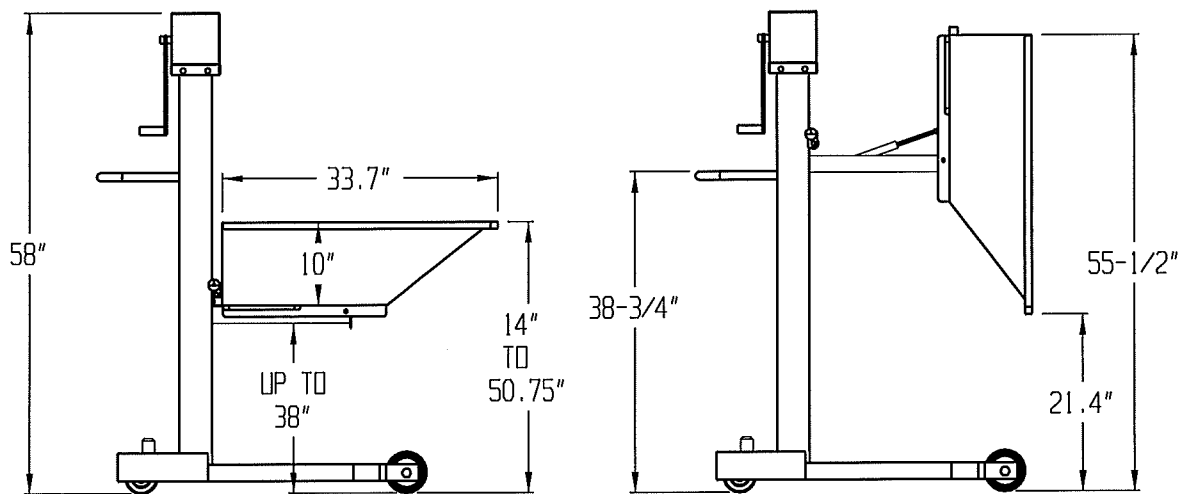
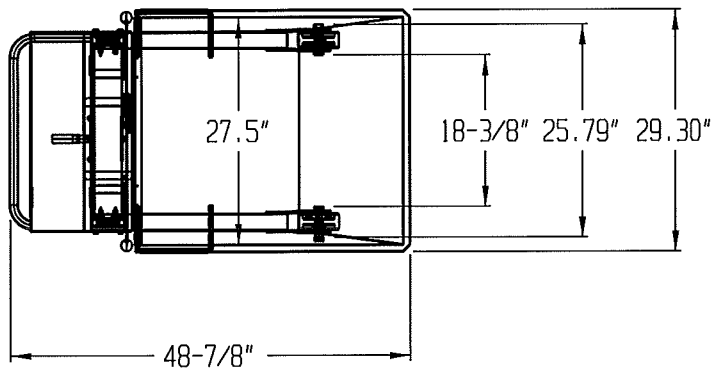


DANIELS FOOD EQUIPMENT

LIFT DUMP



SPECIFICATIONS

- FRAME:** STAINLESS STEEL CONSTRUCTION
- CAPACITY:** 29 GALLONS
- LIFT CAPACITY:** UP TO 200 LBS.
- WEIGHT:** NET WEIGHT 155 LBS., SHIPPING WEIGHT 200LBS.

DANIELS FOOD EQUIPMENT

310 NORTH CLAYBORN AVE. PARKERS PRAIRIE, MN. 56361 PHONE: (218) 338-5000 FAX (218) 338-5909.

WEB: www.danielsfood.com

E-MAIL: danielsfood@midwestinfo.net