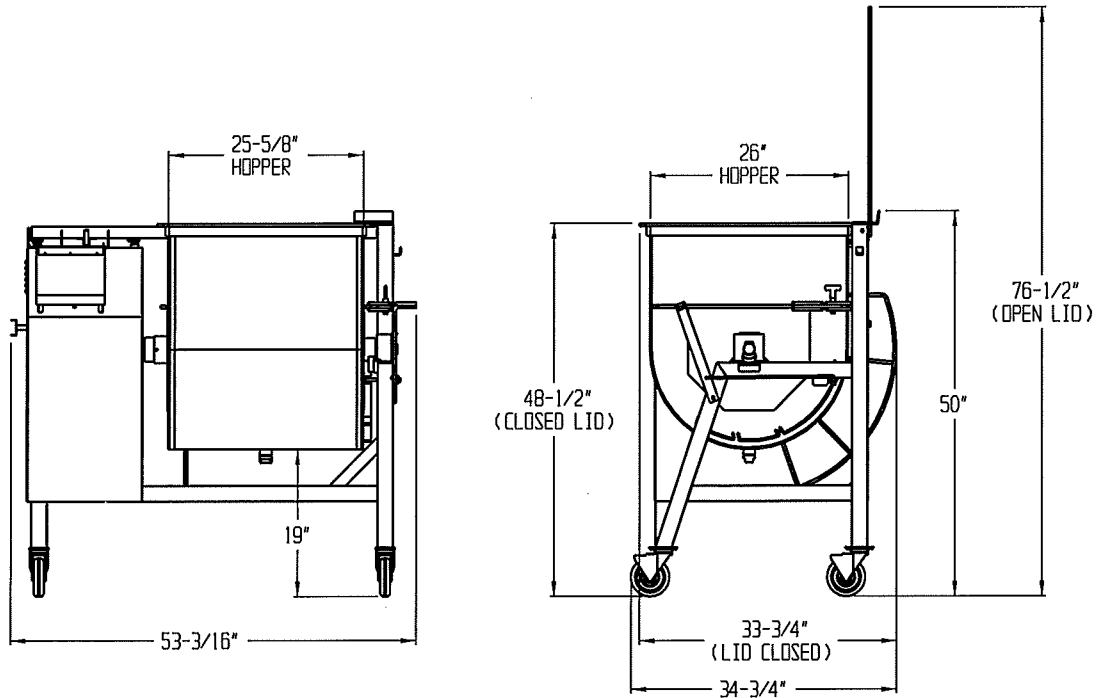


# **DANIELS FOOD EQUIPMENT**

## **DMX and DMX QUAD 300 MIXER**



### **SPECIFICATIONS**

<b>MOTOR:</b>	<b>STANDARD: 3 HP, 3 PH, 230 VOLT, 60 Hz, 8.6 AMP</b> <b>OPTIONAL: 3 HP, 3 PH, 208 VOLT, 60 Hz, 9.7 AMP</b> <b>OPTIONAL: 3 HP, 3 PH, 460 VOLT, 60 Hz, 4.3 AMP</b>
<b>PADDLE RPM:</b>	<b>DMX: 24-1/3 RPM</b> <b>DMX QUAD: INNER 24-1/3 RPM, OUTER 24-1/3 RPM</b>
<b>TIMER:</b>	<b>LED READOUT – MINUTES AND SECONDS</b>
<b>DIRECTION CONTROL:</b>	<b>FORWARD-STOP-REVERSE</b>
<b>HOPPER CAPACITY:</b>	<b>300-LBS</b>
<b>HOPPER CONSTRUCTION:</b>	<b>12 GA STAINLESS STEEL, 110° DUMPING, REMOVABLE PADDLE, CLEANOUT DRAIN ON BOTTOM, TRANSPARENT COVER WITH SAFETY LOCKOUT.</b>
<b>FRAME:</b>	<b>11 GA STAINLESS STEEL TUBING, OPEN UNDER HOPPER FOR EASY DUMPING, LOCKING SWIVEL CASTERS.</b>
<b>DUMP HEIGHT:</b>	<b>12-7/8"</b>
<b>WEIGHT:</b>	<b>DMX: 585-LBS, SHIPPING INFO: 660-LBS, SIZE: 36" X 60" X 53" HIGH</b> <b>DMX QUAD: 610-LBS, SHIPPING INFO: 685-LBS, SIZE: 36" X 60" X 53" HIGH</b>

### **DANIELS FOOD EQUIPMENT**

310 NORTH CLAYBORN AVE. PARKERS PRAIRIE, MN. 56361 PHONE: (218) 338-5000 FAX (218) 338-5909  
WEB: [www.danielsfood.com](http://www.danielsfood.com) E-MAIL: [danielsfood@midwestinfo.net](mailto:danielsfood@midwestinfo.net)