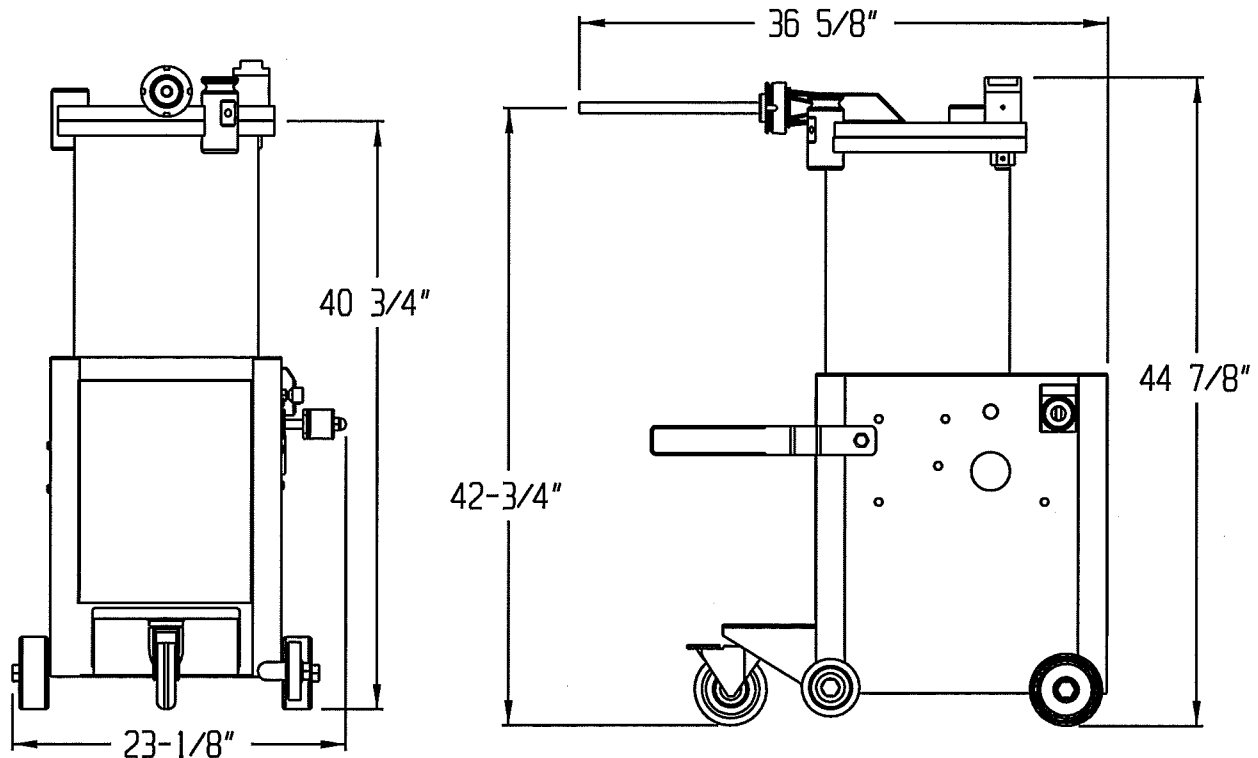


DANIELS FOOD EQUIPMENT

DFS-55 HYDRAULIC STUFFING MACHINE



SPECIFICATIONS

CAPACITY:	55-LBS. (25 LITERS)	MOTOR:	1.5HP, 230 VOLT, 60 Hz, 3 PHASE, 4.6 AMP (STANDARD) 1.5HP, 220 VOLT, 60Hz, 1 PHASE, 8.6 AMP (OPTIONAL WITH UPCHARGE)
EXTRUDING NOZZLES: (STANDARD)	7/16" OUTSIDE DIAMETER * P/N 50050-01 1/2" OUTSIDE DIAMETER * P/N 50050-02 3/4" OUTSIDE DIAMETER * P/N 50050-04 1-1/4" OUTSIDE DIAMETER * P/N 50050-06 *SHIPPED WITH MACHINE	CONTROLS:	PRESSURE/FLOW ADJUSTMENT (CONTROL KNOB), 3 POSITION KNEE PEDAL OPERATION
EXTRUDING NOZZLES: (OPTIONAL)	5/8" OUTSIDE DIAMETER P/N 50050-03 1" OUTSIDE DIAMETER P/N 50050-05 1-1/2" OUTSIDE DIAMETER P/N 50050-07 JERKY STUFFING NOZZLE P/N 50025 MM CALIBRATED HORNS (P.O.R.) 7/16" DOUBLE BEEF STICK HORN P/N 50161 1/2" DOUBLE BEEF STICK HORN P/N 50162	ACCESSORIES:	SAUSAGE MAKING TABLES (3' X 4'. 3' X UP TO 10', P.O.R.)
PISTON MATERIAL:	STAINLESS STEEL & PLASTIC	HYDRAULIC OIL:	INDOL NZ ISO 46MV OR EQUIVALENT. OIL FILTER P/N 20460
OIL RESERVOIR:	5 GALLON CAPACITY, SELF-CONTAINED	WEIGHT:	410-LBS. (WITH OIL)

DANIELS FOOD EQUIPMENT

310 NORTH CLAYBORN AVENUE, PARKERS PRAIRIE, MN 56361 PHONE: (218) 338-5000 FAX (218) 338-5909

WEB: www.danielsfood.com

E-MAIL: danielsfood@midwestinfo.net

1/17/2020