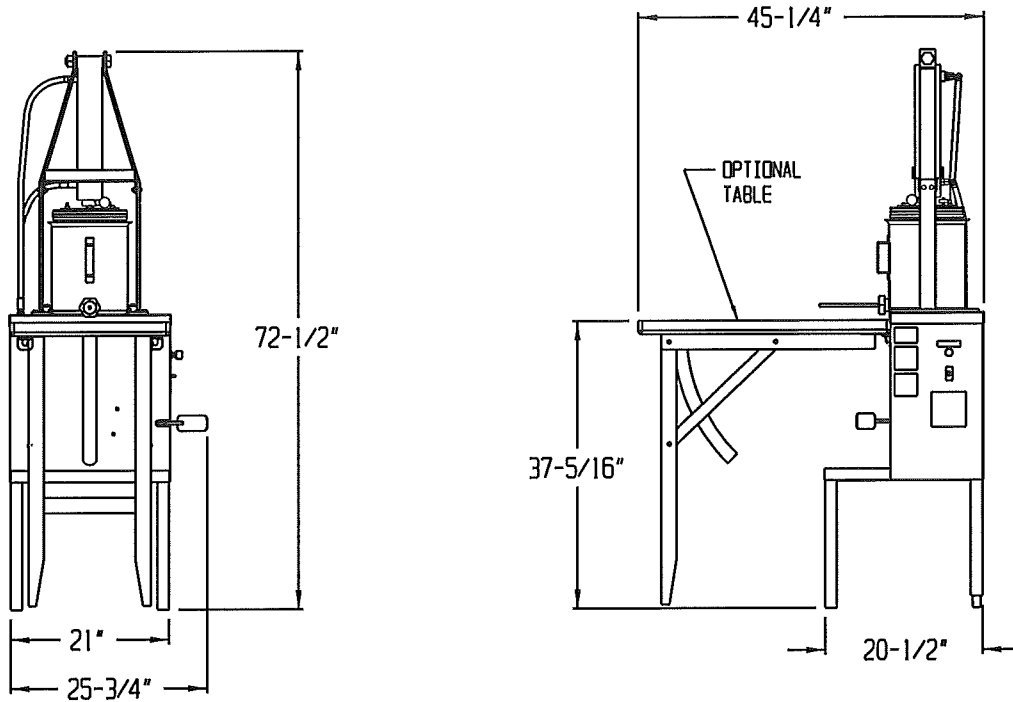


DFS-30 SPECIFICATIONS



PRODUCT CYLINDER:	STAINLESS STEEL 30 LBS. CAPACITY
EXTRUDING NOZZLES: (STANDARD)	7/16" OUTSIDE DIAMETER * P/N 45026-01 1/2" OUTSIDE DIAMETER * P/N 45026-02 3/4" OUTSIDE DIAMETER * P/N 45026-04 1-1/4" OUTSIDE DIAMETER * P/N 45026-06 *SHIPPED WITH MACHINE
EXTRUDING NOZZLES: (OPTIONAL)	5/8" OUTSIDE DIAMETER P/N 45026-03 1" OUTSIDE DIAMETER P/N 45026-05 1-1/2" OUTSIDE DIAMETER P/N 45026-07
PISTON MATERIAL:	STAINLESS STEEL & PLASTIC
OIL RESERVOIR:	5-QUART CAPACITY, SELF-CONTAINED
MOTOR:	3/4 HP, 115 VOLT, 60Hz, 1 PHASE, 10.8 AMPS
HYDRAULIC OIL:	INDOL NZ ISO 46MV OR EQUIVALENT
WEIGHT:	243 LBS. (WITH OIL)