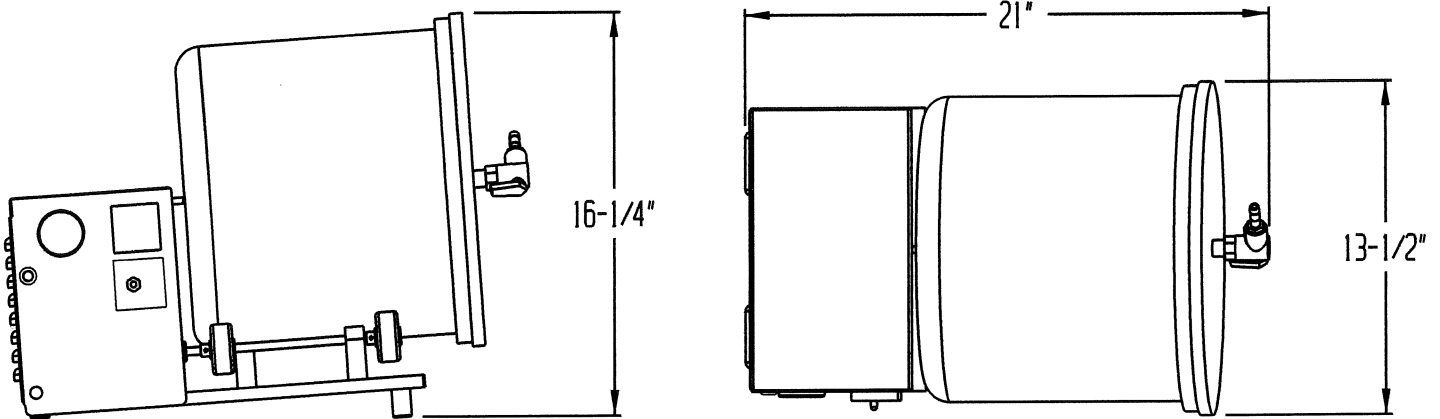


DANIELS FOOD EQUIPMENT

DVTS 30 VACUUM TUMBLER



SPECIFICATIONS

POWER SUPPLY:	15 AMP, 120 VOLT, 60 Hz CIRCUIT, 1 PHASE, 4.7 AMPS TOTAL
TUMBLER SPEED:	9 RPM
VACUUM PUMP:	0 – 22 (IN. HG.)
TIMER:	LED READ OUT IN HOURS AND MINUTES
FEATURES:	VACUUM GAUGE, TIMER, TUMBLE / VACUUM – TOGGLE SWITCH
CAPACITY:	30-LBS. MAXIMUM, 25 LBS. TUMBLE CAPACITY
WEIGHT:	30-LBS. (NET)
STANDARD MOTOR:	120 VOLT, 60Hz, 1 PHASE, 1/100 HP & 1/25 HP, 1.7AMP & 3.0AMP
OPTIONAL MOTORS:	220 VOLT, 60Hz, 1 PHASE, 1/100 HP & 1/25 HP, 0.8AMP & 0.9 AMP 220 VOLT, 50Hz, 1 PHASE, 1/100 HP & 1/25 HP, 0.8AMP & 0.9 AMP

DANIELS FOOD EQUIPMENT

310 NORTH CLAYBORN AVE. PARKERS PRAIRIE, MN. 56361 PHONE: (218) 338-5000 FAX (218) 338-5909.

WEB: www.danielsfood.com

E-MAIL: danielsfood@midwestinfo.net