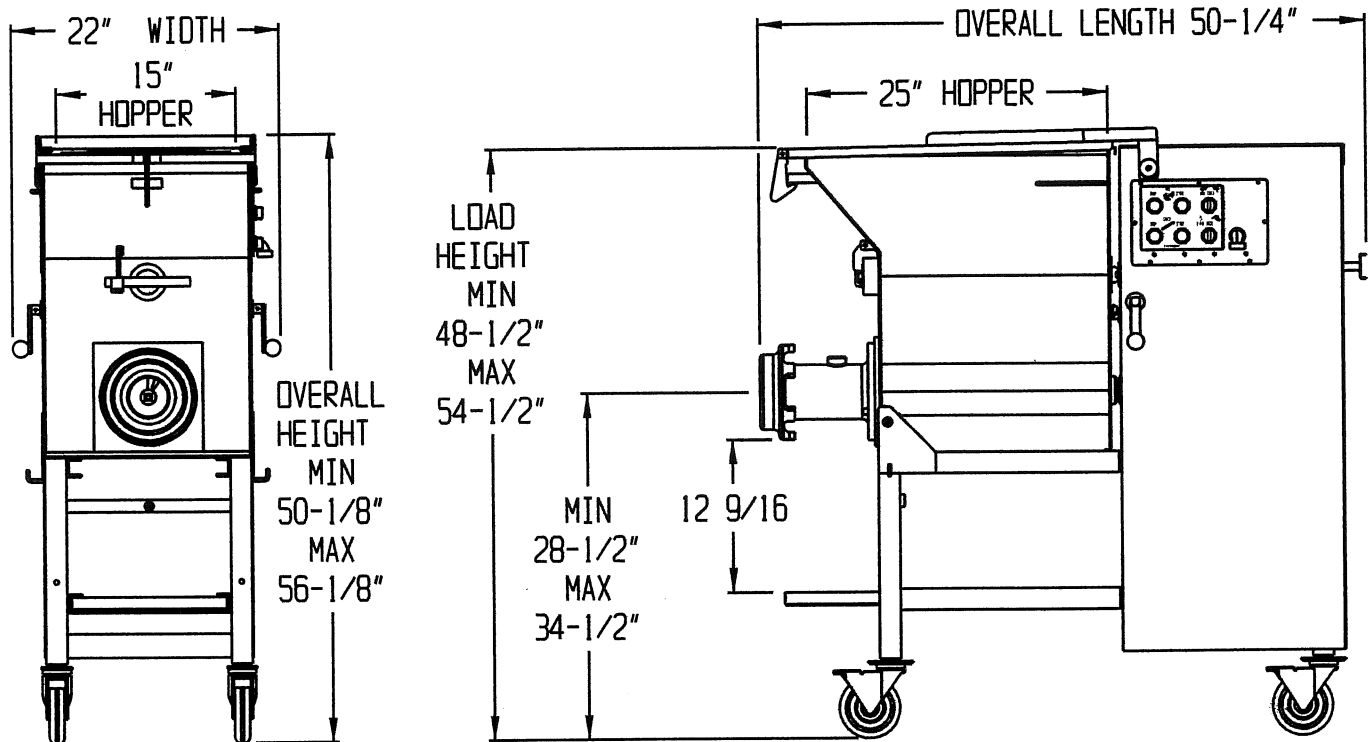


# **DANIELS FOOD EQUIPMENT**

## **AFMG 532 MIXER GRINDER**



### **SPECIFICATIONS**

**STANDARD MOTOR:**

**GRINDER; 230 VOLT, 13.2 AMP, 1725 RPM, 60 Hz, 5 HP, 3 PH.  
MIXER; 230 VOLT, 3.0 AMP, 1725 RPM, 60 Hz, 3/4 HP, 3 PH.**

**OPTIONAL MOTOR:**

**GRINDER; 208/460 VOLT, 15/6.6 AMP, 1725 RPM, 60 Hz, 3 PH.  
MIXER; 208/460 VOLT, 3.6/1.5 AMP, 1725 RPM, 60 Hz, 3 PH.  
GRINDER; 230/460 VOLT, 23/11.5 AMP, 1725 RPM, 60 Hz, 5 HP, 1 PH.  
MIXER; 230/460 VOLT, 5.4/2.7 AMP, 1725 RPM, 60 Hz, 3/4 HP, 1 PH.**

**CONSTRUCTION:**

**ALL STAINLESS STEEL CONSTRUCTION,  
100 LBS. CAPACITY, REMOVABLE PADDLE, STAINLESS STEEL  
SHEET HOPPER COVER, ADJUSTABLE SHELF.**

**CONTROLS:**

**MIX ON/OFF - BOTH DIRECTIONS, GRIND ON/OFF,  
HAND OR FOOT CONTROL**

**WEIGHT:**

**690 LBS., SHIPPING INFO: 740 LBS. SIZE: 36" X 60" X 48" HIGH**

**OUTPUT:**

**UP TO 100 Lbs. PER MINUTE WITH 3/8" PLATE.**

### **DANIELS FOOD EQUIPMENT**

**310 NORTH CLAYBORN AVE. PARKERS PRAIRIE, MN. 56361 PHONE: (218) 338-5000 FAX (218) 338-5909.**

**WEB: [www.danielsfood.com](http://www.danielsfood.com) E-MAIL: [edaniels@danielsfood.com](mailto:edaniels@danielsfood.com)**

**9/22/2010**