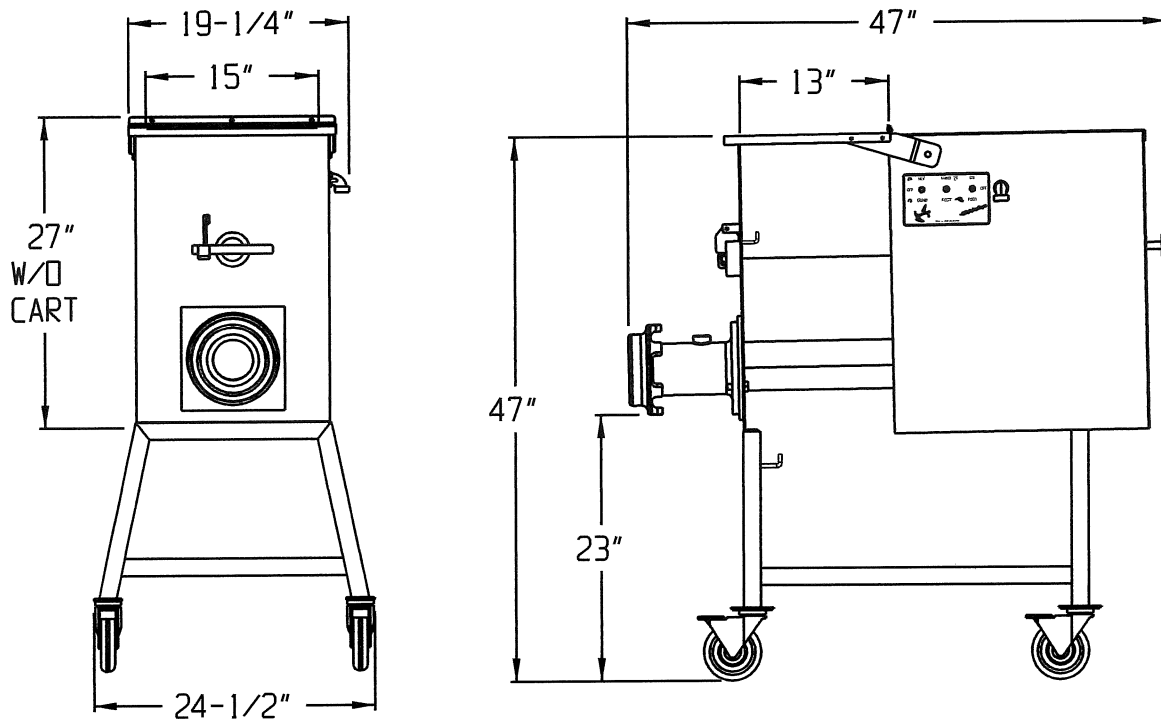


DANIELS FOOD EQUIPMENT

AFMG 50 MIXER GRINDER



SPECIFICATIONS

STANDARD:

**GRINDER, 230 VOLT, 8.5 AMP, 60 Hz, 3 HP, 3 PHASE.
MIXER, 230 VOLT, 2.15 AMP, 60 Hz, 1/2 HP, 3 PHASE.
TOTAL AMP DRAW 10.65 AMP**

OPTIONAL:

**208 VOLT, 3 PHASE, 60 Hz, TOTAL AMP DRAW 10.69 AMP
208 VOLT, 1 PHASE, 60 Hz, TOTAL AMP DRAW 29.8 AMP
230 VOLT, 1 PHASE, 60 Hz, TOTAL AMP DRAW 26 AMP
460 VOLT, 3 PHASE, 60 Hz, TOTAL AMP DRAW 5.33 AMP**

CONSTRUCTION:

**HEAVY GAUGE STAINLESS STEEL CONSTRUCTION,
75 LBS. CAPACITY, REMOVABLE PADDLE, STAINLESS
STEEL HOPPER COVER WITH SAFETY LOCKOUT.**

WORKING CAPACITY: 75-LBS.

WEIGHT: 355 LBS. NET, 395 LBS. SHIPPING WEIGHT.

OUTPUT: UP TO 100 LBS. PER MINUTE WITH 3/8" PLATE.

OPTIONS: MACHINE CART, SINGLE TUB DOLLY, HOPPER FUNNEL, FOOT SWITCH.

DANIELS FOOD EQUIPMENT

310 NORTH CLAYBORN AVE. PARKERS PRAIRIE, MN. 56361 PHONE: (218) 338-5000 FAX (218) 338-5909.

WEB: www.danielsfood.com

E-MAIL: danielsfood@midwestinfo.net