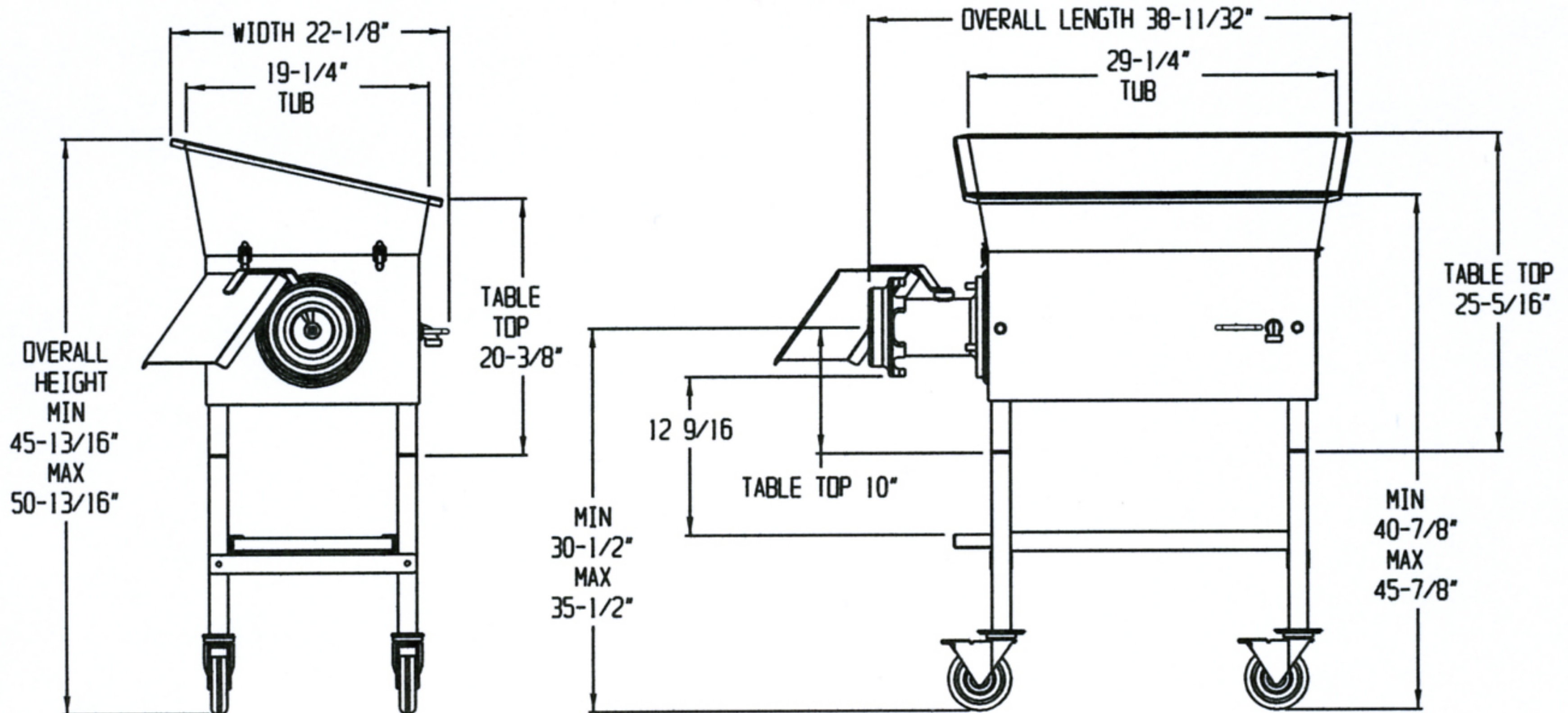


DANIELS FOOD EQUIPMENT

DG 332 FLAT TOP GRINDER



SPECIFICATIONS

STANDARD:

230 VOLT, 9.1 AMP, 60 Hz, 3 HP, 3 PHASE.

OPTIONAL:

208 VOLT, 3 PHASE, 60 Hz, AMP DRAW 9.3 AMP
208 VOLT, 1 PHASE, 60 Hz, AMP DRAW 24 AMP
230 VOLT, 1 PHASE, 60 Hz, AMP DRAW 21 AMP
460 VOLT, 3 PHASE, 60 Hz, AMP DRAW 4.6 AMP

CONSTRUCTION:

HEAVY GAUGE STAINLESS STEEL CONSTRUCTION,
75 LB. CAPACITY, REMOVABLE AUGER, STAINLESS
STEEL TUB WITH SAFETY LOCKOUT.

WORKING CAPACITY: 75-LBS.

WEIGHT:

250 LBS. NET, 275 LBS. SHIPPING WEIGHT.

OUTPUT:

UP TO 100 LBS. PER MINUTE WITH 3/8" PLATE.

OPTIONS:

ADJUSTABLE LEGS W/CASTERS, LUGGER CART SHELF, FOOT SWITCH,
LEFT HAND TUB.

DANIELS FOOD EQUIPMENT

310 NORTH CLAYBORN AVE. PARKERS PRAIRIE, MN. 56361 PHONE: (218) 338-5000 FAX: (218) 338-5909.

WEB: www.danielsfood.com

E-MAIL: danielsfood@midwestinfo.net